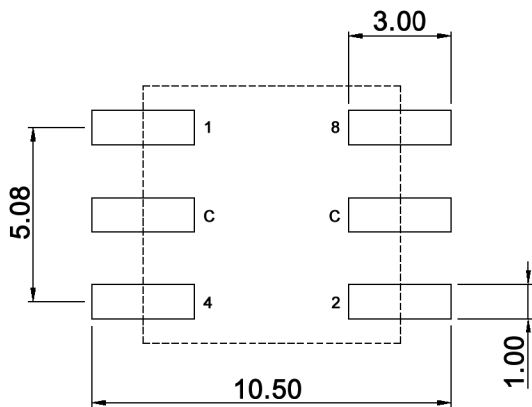


P.C.B. DIMENSION



Hexadecimal inverse

	Complement coded				
	C	1	2	4	8
0	●	●	●	●	●
1	●		●	●	●
2	●	●		●	●
3	●			●	●
4	●	●	●		●
5	●		●		●
6	●	●			●
7	●				●
8	●	●	●	●	
9	●		●	●	
A	●	●		●	
B	●			●	
C	●	●	●		
D	●		●		
E	●	●			
F	●				

Compliance: RohS III (2015/863/EU)

Tolerances: DIN ISO-2768-1m 0.5-6: ±0.1 mm 6-30: ±0.2 mm	Date	Name
	10/08	dr
Torque	05/24	dr
Packaging	02/15	dr
Packaging	05/10	dr
Soldering conditions	10/09	dr
Material	05/09	dr
Modifications	Date	Name

SMR 16116

knitter-switch

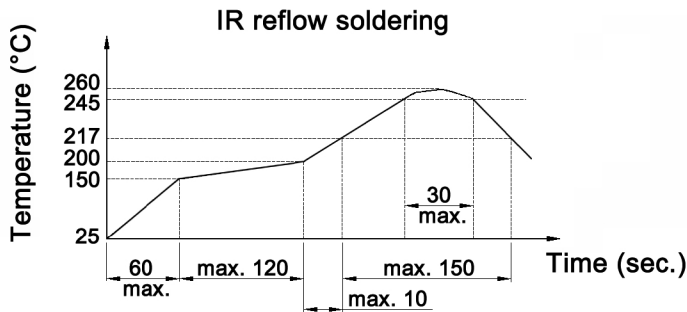
30 16 23

Page

1/3

Specifications:

Contact rating: non-switching: 400mA, 42V
switching: 100mA, 42V
Contact resistance: 80mOhm max.
Insulation resistance: 100MOhm min. at 250V DC for 1 minute +/-5sec.
Dielectric strength: 250V DC (50Hz/60Hz) for 1 minute
Operating temperature: -50°C to +125°C
Storage temperature: -55°C to +135°C
Mechanical life: 25 000 cycles
Operating force: 2.5 Ncm max.
Material: Cover / spring plate / guide plate: stainless steel
Contact / terminal: phosphor bronze, min. 0.07µm gold plated
over min. 0.3µm nickel
Rotor / base: LCP, UL94V-0
O-ring: silicone
Actuator color: ivory
Protection: IP67
Soldering conditions:

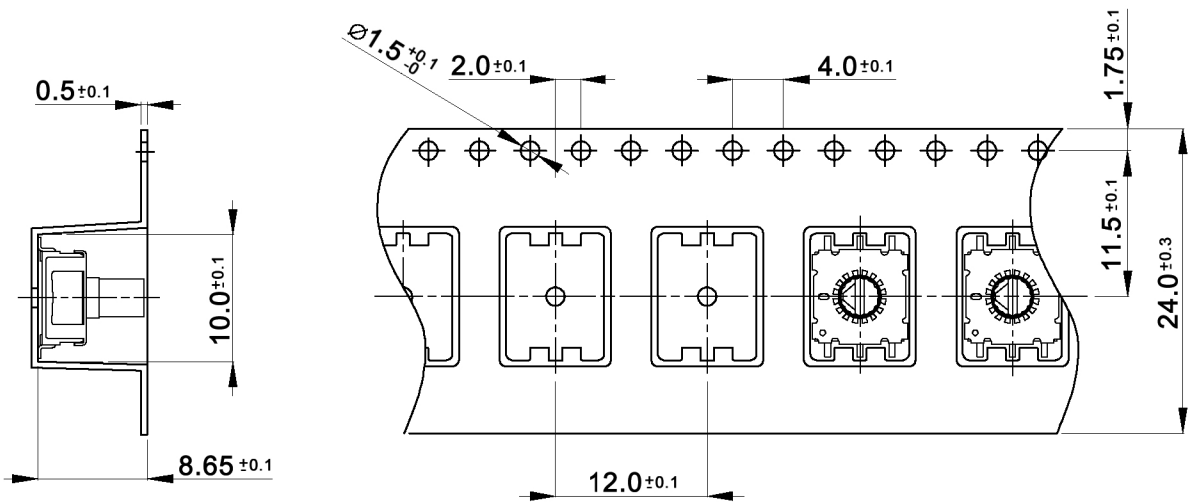
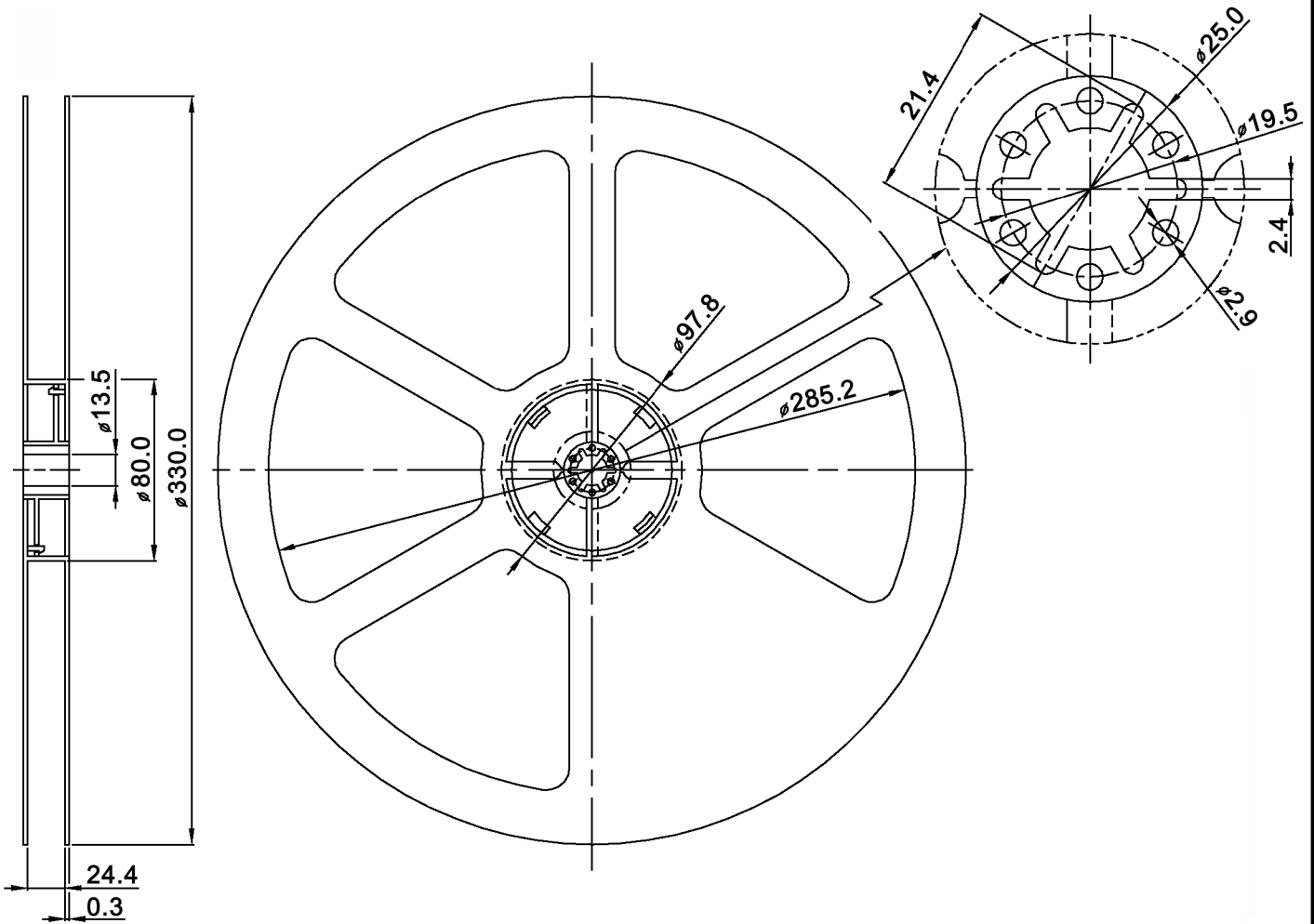


Type	Packaging unit
SMR 16116	70 pcs. per stick
SMR 16116 T	600 pcs. per reel

Compliance: RohS III (2015/863/EU)

Tolerances: DIN ISO-2768-1m 0.5-6: ±0.1 mm 6-30: ±0.2 mm	Date	Name	<h1>SMR 16116</h1>
	10/08	dr	
Torque	05/24	dr	
Packaging	02/15	dr	
Packaging	05/10	dr	<h2>30 16 23</h2>
Soldering conditions	10/09	dr	
Material	05/09	dr	2/3
Modifications	Date	Name	

Packaging:



Compliance: RohS III (2015/863/EU)

Tolerances:		Date	Name	<h1>SMR 16116</h1>
		10/08	dr	
Torque	05/24	dr		
Packaging	02/15	dr		
Packaging	05/10	dr		<h1>30 16 23</h1>
Soldering conditions	10/09	dr		
Material	05/09	dr		Page
Modifications	Date	Name		3/3

knitter-switch